

KEYANKA

Patent applied for

A Removable, Single Point Anchor Device to EN 795 Class A1, ISO 14567 Class A1 and BS 7883 Class A1.

Suitable for use in tension and in shear.

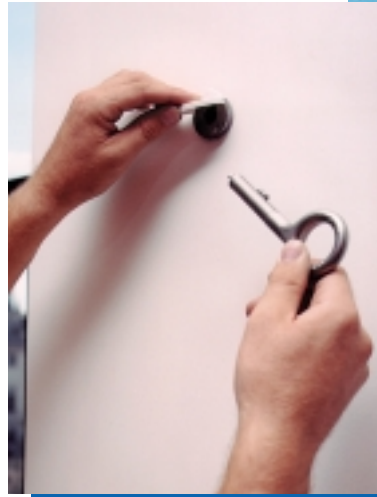


***CE approved to
the PPE Directive***



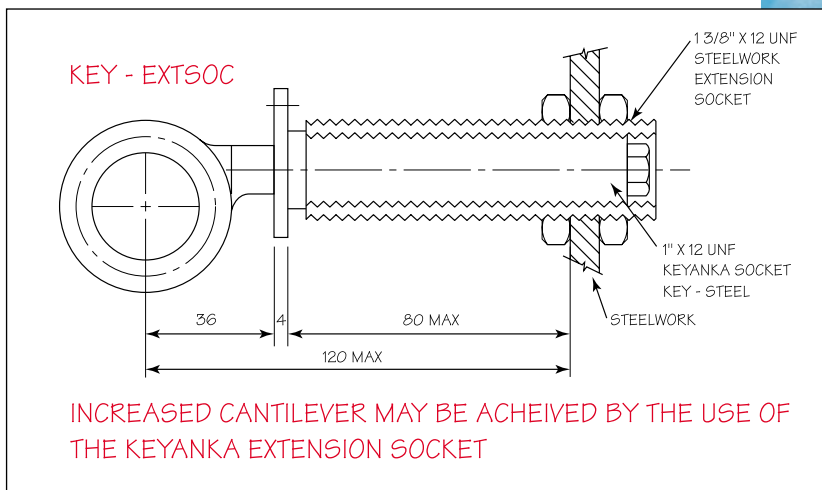
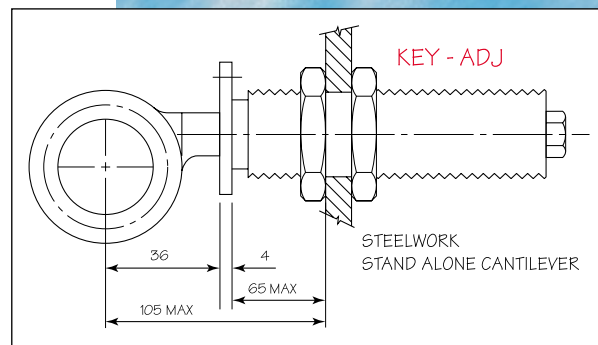
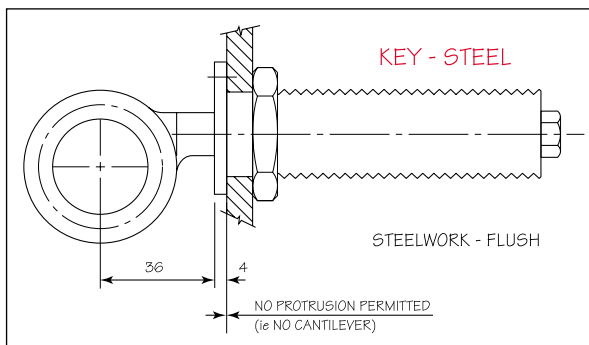
Available from:

The **Keyanka Safety Eyebolt** offers a removable unobtrusive solution to traditional eyebolts in more prestigious buildings. The permanently installed grade 316 stainless steel anchor socket is concealed by a flush fitting white plastic cover, which blends in with most interior designs.



Equipped with the **Keyanka** eyebolt at the end of his lanyard, the operator uses a simple 'key' action with sprung locking movement, to provide a fast and safe attachment. The eyebolt is able to rotate 180° whilst still attached to the socket to provide the best orientation in event of fall arrest situation, and can only be removed by five simple, separate but deliberate, sequential movements.

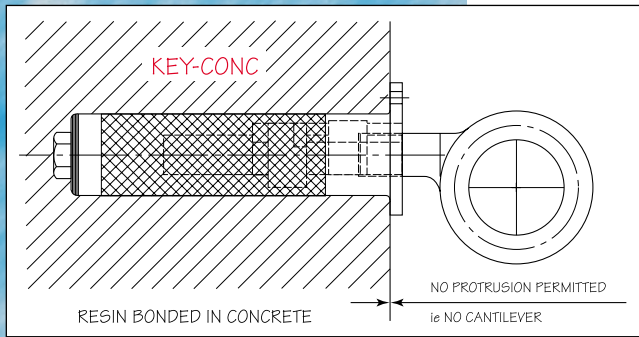
KEYANKA IN STEELWORK



NOTES:

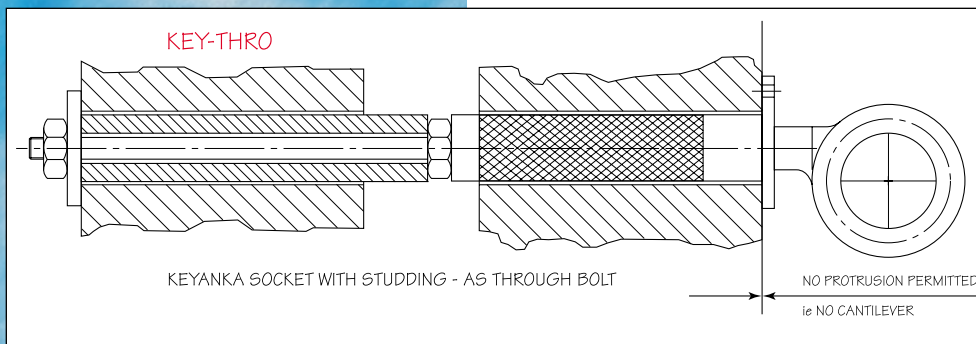
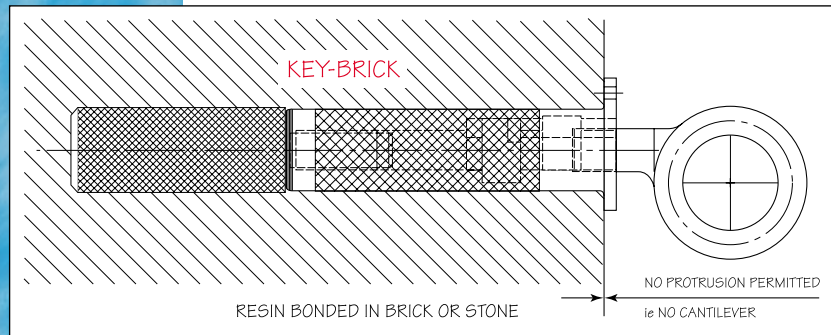
1. **KEY-STEEL** must **NEVER** be used with any thread protruding.
2. When using **KEY-EXTSOC** extension sockets, the **KEYANKA (KEY-STEEL)** must be fully screwed in to the collar.
3. **KEYANKA** and extension sockets should be ordered separately

KEYANKA IN MASONRY



KEY-CONC
Standard **Keyanka** socket suitable for resin bonding into minimum 150mm thick concrete ONLY.
NO cantilever permitted.

KEY-BRICK
Standard **Keyanka** socket with knurled extension suitable for resin bonding into min. 225mm thick solid masonry.
NO cantilever permitted.



KEY-THRO
Standard **Keyanka** socket with additional M12 threaded extender. For use as through bolt fixing (e.g. in cavity walls)
NO cantilever permitted.

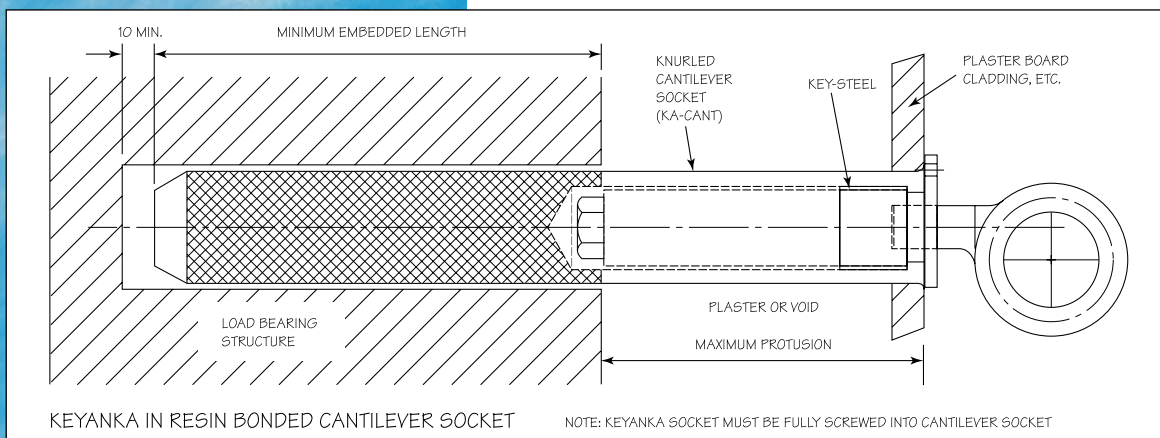
Cantilever Situations in Masonry

KA-CANT Knurled cantilever socket for use in conjunction with standard **KEY-STEEL** **Keyanka** socket in concrete and masonry.

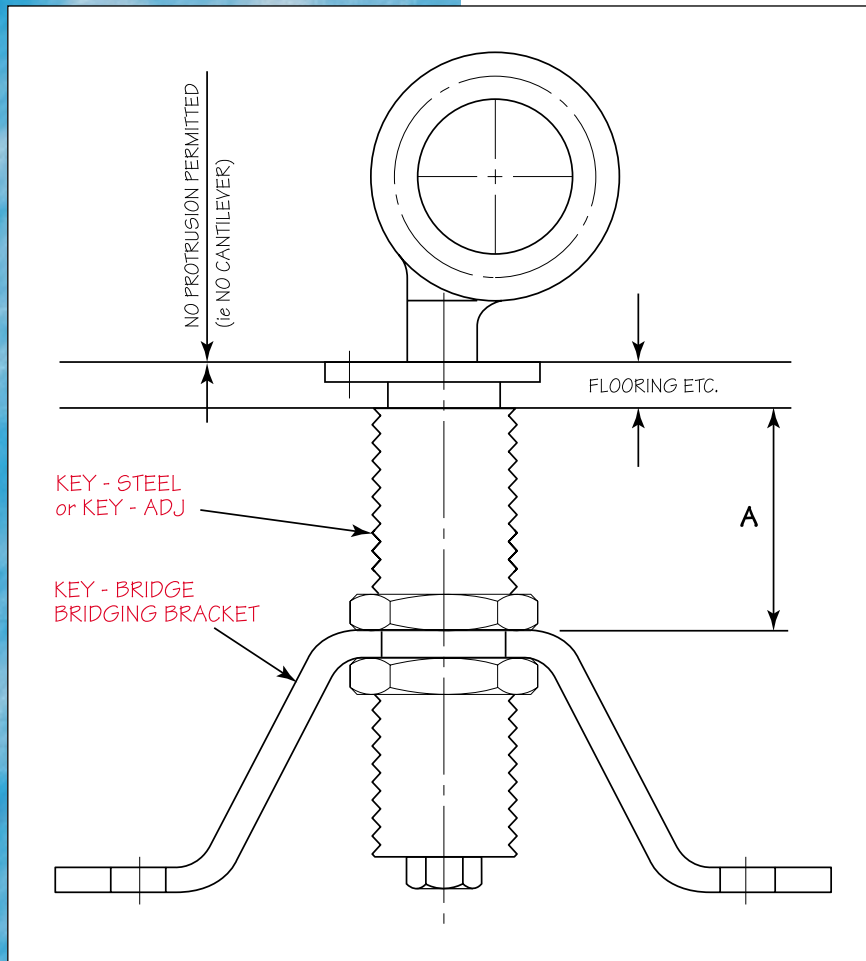
Code	Max. protrusion (mm)	Min. bonded length (mm)*	Recommended overall length of socket (mm)
KA-CANT175	75	100	175
KA-CANT200	90	110	200
KA-CANT225	100	120	225
KA-CANT250	125	125	250

*The drilling depth is a least 10 mm more than the bonded length.

N.B. Cantilever sockets and **Keyanka** sockets should be ordered as separate items.



OTHER APPLICATIONS

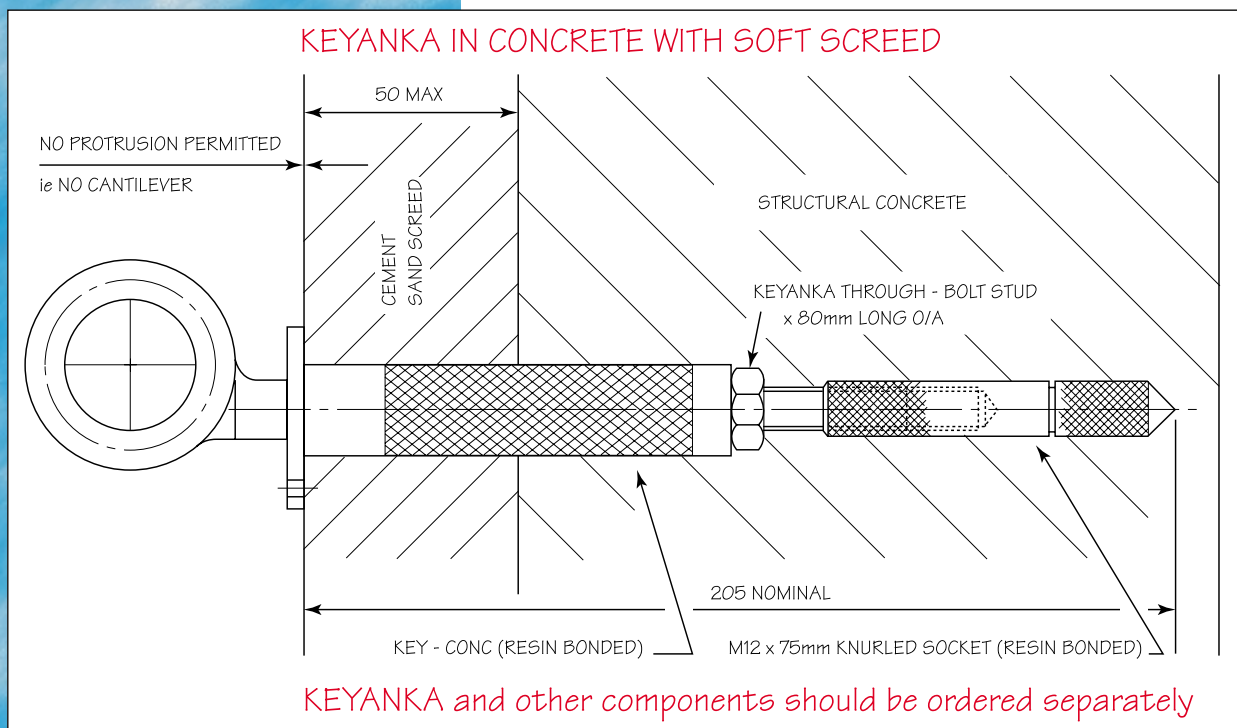


Keyanka bracket to bridge void under floors, above ceilings or behind cladding.

For direct axial loading only - unless the cladding etc. provides adequate resistance to bending.

Use in conjunction with **KEY - STEEL** or, if 'A' is greater than 25mm, **KEY - ADJ.**

Keyanka bridge, sockets and locknuts should be ordered as separate items.



KEYANKA and other components should be ordered separately

The **Keyanka** system has been independently tested and CE approved by National Engineering Laboratory - East Kilbride (Notified Body Reference Number 0320).

A full copy of their report is available upon request.